



Original **SHYZIP**®

You Will Find SHY Products
on Windows Around the World.



SHYZIP Technology Changing the World

New

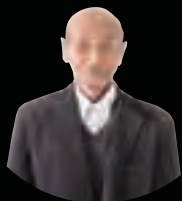
SHYZIP[®] completed **HYblack**

HYper

Blackout

Rollscreen

- Hyper-Black film on one side.
- Stable Straight SHYZIP[®]
- MADE IN JAPAN



Inventor

*Seizo
Hayashiguchi*

Thank you for spreading
SHY's ZIPscreen
idea around the world!

Safe and stable package

1
Point

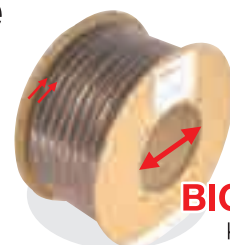
**VERTICAL
PACKING**

STABLE
during transport



2
Point
DOUBLE ZIP

Ex) SHYZIP-0216
500m/reel
= Single zip
1000m/reel



3
Point

BIG TUBE

Keep the zip
very STRAIGHT
after storing a long time

SHYZIP®

Made in Japan

Fabrics

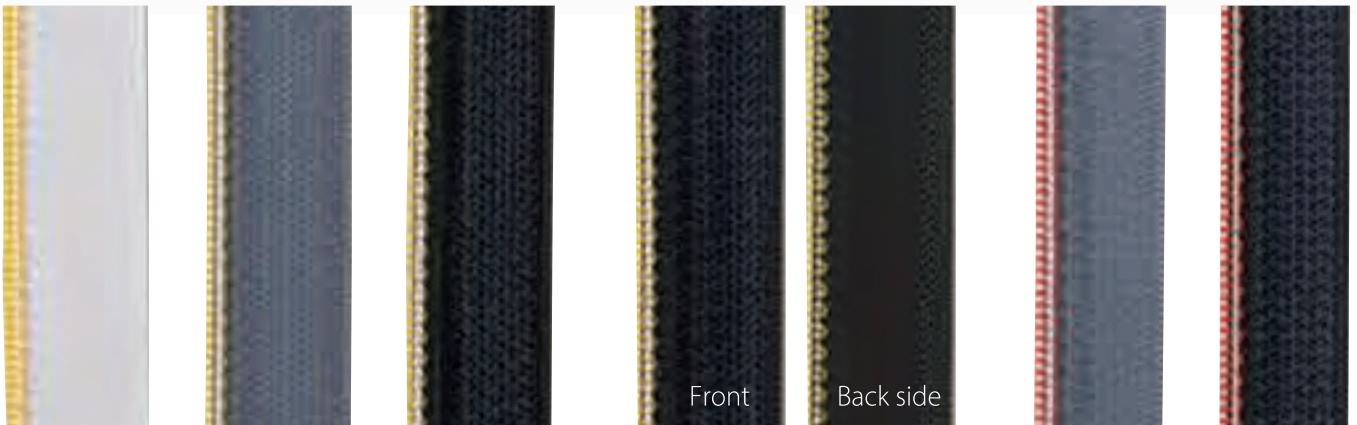
Guide-Rail

Cushion Gum

Inner-Rail

SHYZIP®

Design for good reason straight



0216-WH
White

0216-GR
Grey

0216-BK
Black

NEW 0216-HYBK
HYblack

0450-GR
Grey

0450-BK
Black

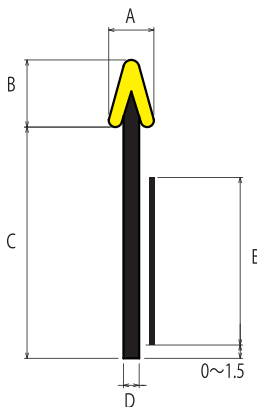
SHYZIP® Standard

SHYZIP® Strong

Please ask us for more options!

Specifications

	(mm)	
	SHYZIP® Standard	SHYZIP® Strong
Element Thickness (A)	1.7	1.9
Element Width (B)	2.5	3.2
Strip Width (C)	14.8	14.3
Strip Thickness (D)	0.6	0.7
PVC film Width (E)	12.0	12.0



Tensile Strength (Measured value)

SHYZIP® - 0216 (with yellow elements)

Element Thickness : 1.7mm
Tensile Strength : 25.2kg/30mm

SHYZIP® - 0450 (with red elements)

Element Thickness : 1.9mm
Tensile Strength : 41.0kg/30mm

★Strength 163% UP!!

Best for exterior shade.

- Easy Operation
- Light Cut-off
- Energy Saving · Noise Cut-off
- Sag Prevention
- Scattering Prevention

- Bug Cut-off
- Multi-purpose Design Possible
- Easy Maintenance
- Large Size Possible
- Dust etc Shutting Off

■ Stable Straight SHYZIP®

■ Usable for each strength, scenes, and situations.

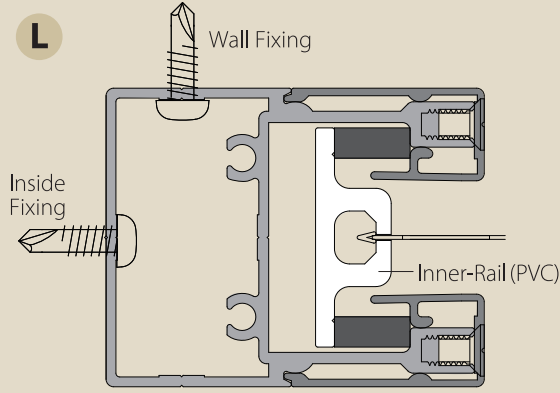
■ MADE IN JAPAN



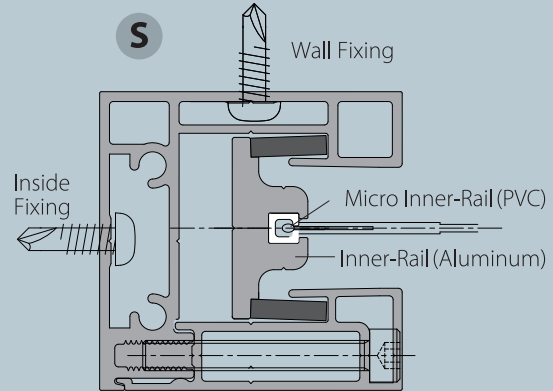
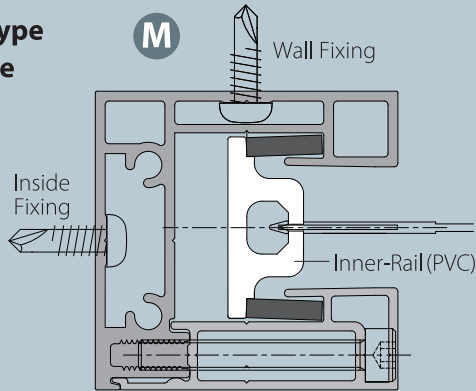
ZIP System

ZIP System is a screen system that can shut off openings perfectly with compact guide rail unit and SHYZIP®.

Large type



Medium type Small type



Guide-Rail

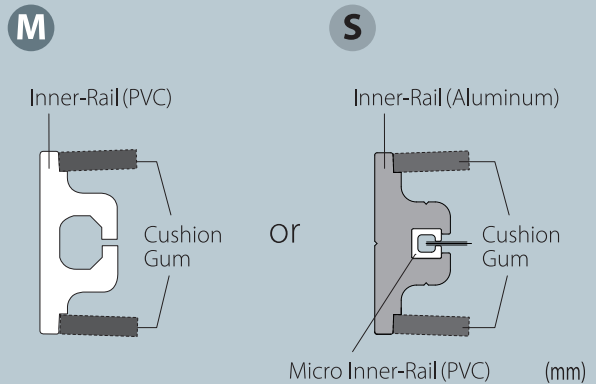
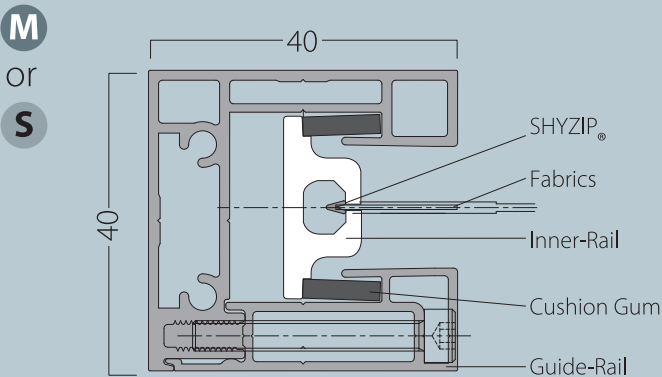
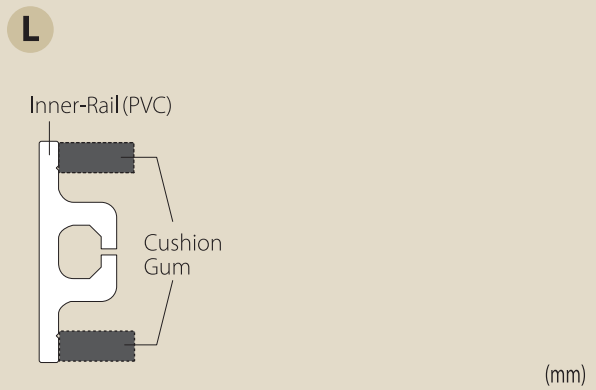
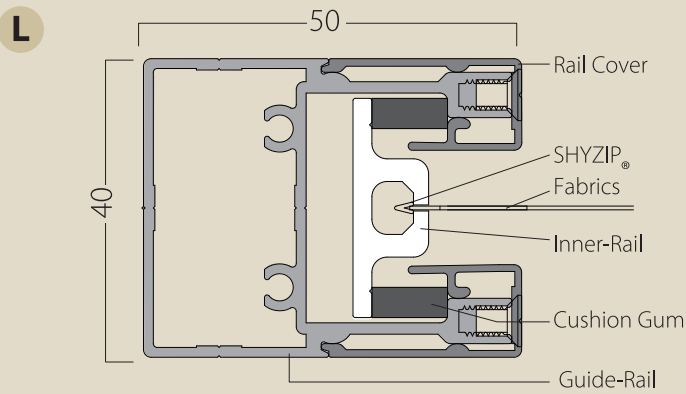
SHYZIP-GR- L/M/S
COLOR : White / Black / Silver

Inner-Rail

SHYZIP-IR- L/M/S
COLOR : White / Black

Micro Inner-Rail

SHYZIP-MR- S
COLOR : White / Black

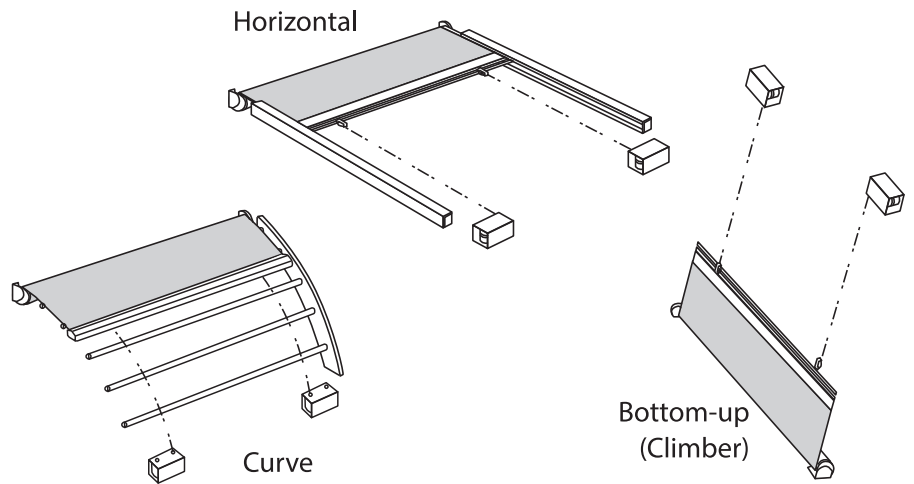




SHY CONSTON SYSTEM

Features

With "SHY CONSTON" applied, the constant torque revolving mechanism can be obtained.



CONSTANT FORCE SPRING

The output hardly changes its value regardless of the wire length.

Comparison with Spiral spring

The output hardly changes its value regardless of the rotation number.

Able to rotate almost its full length.

Constant torque maintains over a long time.

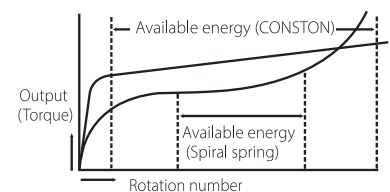
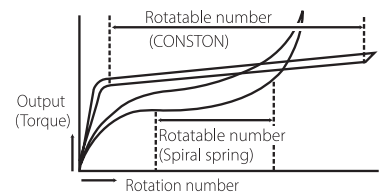
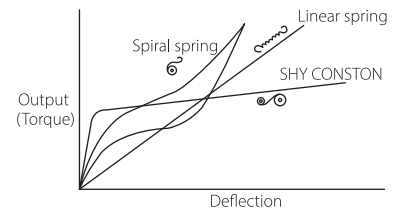
High efficiency, no energy loss due to without friction between coils.

Thus no need lubricating oil.

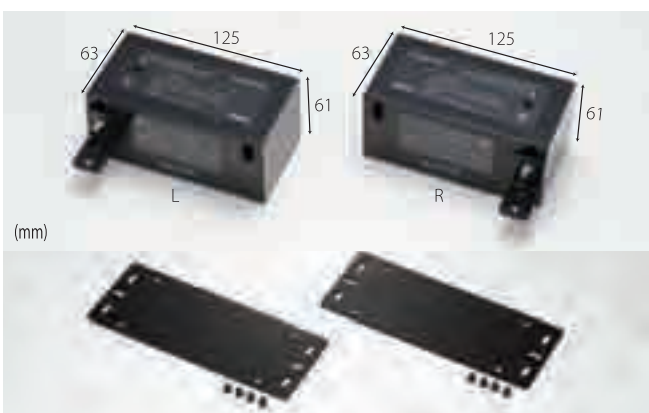
The output reaches high level immediately with slight rotation.

With constant output, adjustment by governor is unnecessary in many case. Structure is simple, thus, troubles seldom occur.

Torque is not elevated with higher coiling tightness. Thereby, coiling can be made easy, and parts with less strength can be used.



SHY CONSTON75



SHY CONSTON75 (L/R Pairs)

ITEM	Torque	Wire length
CS7532N	3.2kgf	※6,000mm (Black)
CS7532M	3.2kgf	3,000mm
		4,000mm

MOQ: 15pairs~

※in-stock

TAIPEI NAN SHAN PLAZA (TAIWAN)

We have supplied our SHYZIP inclination system to "TAIPEI NAN SHAN PLAZA" which is developed by Taiwan's major company encourages and values active contribution to society, "Nan Shan Life Insurance Company, Ltd."

TAIPEI NAN SHAN PLAZA consists of 3 areas: shopping mall, office tower and cultural facility.

The office tower is 272m height designed as the signs of putting palms together which express gratitude to people.

TAIPEI NAN SHAN PLAZA Office tower

Owner/Developer	Nan Shan Life Insurance Company, Ltd.
Address	No. 3, Songlian Road, Xinyi District, Taipei City, Taiwan
Design	Mitsubishi Jisho Sekkei Inc.
Specification	Manual Roller Shade (CRF-65R) ZIP System Chain operation W 1,905mm × H 2,680mm 2,208 units
Site area	17,708m ²
Total floor area	201,800m ²
Construction	Reinforced Concrete
Scale	48stories above ground and 5 below 272m Tall

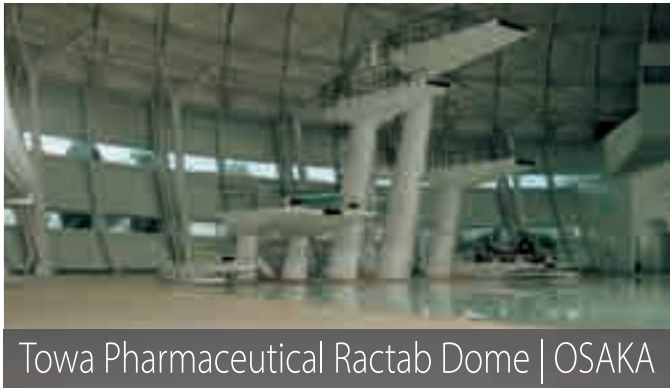




SAORINA | MIE



Ogasayama Sports Park ECOPA | SHIZUOKA

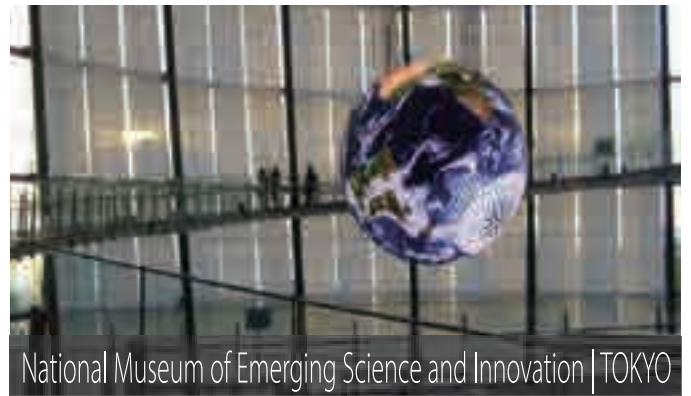


Towa Pharmaceutical Ractab Dome | OSAKA



Sapporo Dome | HOKKAIDO

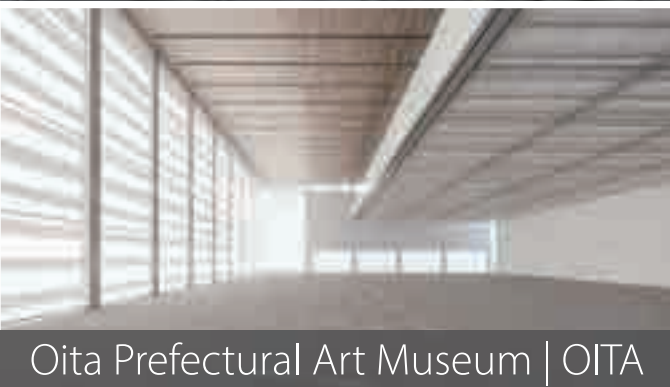
To be found everywhere
SHY SALES RESULT



National Museum of Emerging Science and Innovation | TOKYO



Tokyo International Forum | TOKYO



Oita Prefectural Art Museum | OITA



Hyakugo Bank | MIE

The easiest way to find a solution. SHY is here for you!

Eco



Actively promoting what's good for environment, such as thermal insulation fabric.

Environment-friendly

Inclination



Air traffic control tower, sun shade film

1.8m width film screen that can see clearly with special joint technology.

Various angles

Unique Shape




Plaza west

We develop our system every time to meet the architect's special requests.

Various window shapes

The Largest



W4m×H8.2m

4m width fabric allow us to produce the system by a single sheet of fabric.

NO-joint

Black out

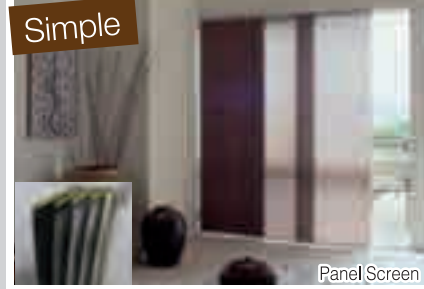


Tokyo Baycourt Club

SHYZIP system offers complete blackout.

Privacy and comfort

Simple



Panel Screen

GOOD DESIGN ZIP rail® Screen

Compact and easy-to-install

Big



@gasayama Sports Park ECOPA

Extensive practical experience with sport arena, dome with large windows.

Big and durable

Shut Out



screen of prevent scatter in the factory

Very suitable for clean room by blocking the air flow, bugs and dust.

Block the light, sounds, heat, dust...

Compact



Wedding hall

GOOD DESIGN Box Roll®

Expand the possibility of design

IOT




SHY Tokyo Showroom

Control by channels such as smartphones and tablets.

Total lighting control using media channels

Linked



image

Smoke ventilation windows and roller shades opens when the sensor catches smoke.

Multiple Functions

Vehicles



Small but very functional manual roller shade for vehicles. Bullet train, Linear motor car and train "Rapi:t" in Osaka.

Train Windows

SHYZIP® is designing the Environment.

~~S~~
top insects

~~H~~
eat insulation and control

~~Y~~
ield eco-friendly benefits

~~Z~~
ero Light for blackout solutions

~~I~~
mproved noise reduction

~~P~~
rotect from the wind

SHY SHY CO., LTD.
shyzip.com

TEL +81-59-226-3334 FAX +81-59-224-8841
E-mail overseas@shyzip.com

Please beware of low-quality copy goods.



SHYZIP®
2024.02.1000