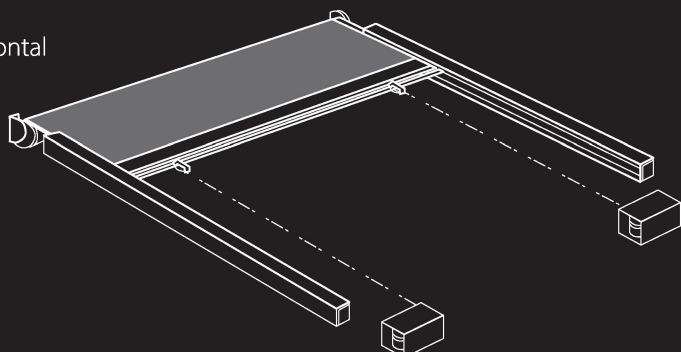
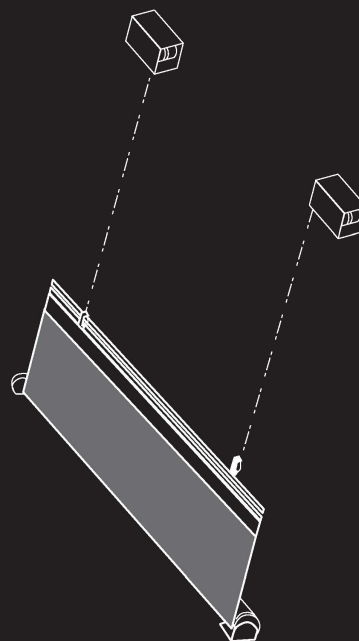


Horizontal



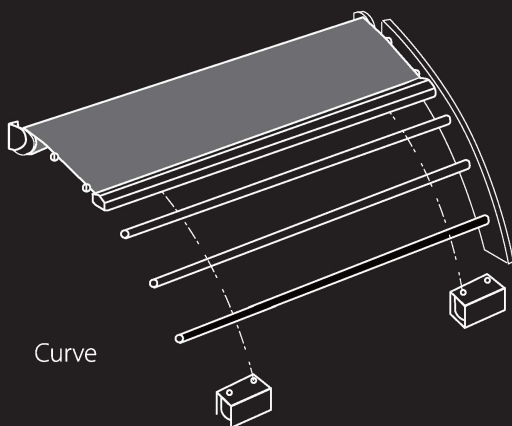
Bottom-up (Climber)



SHY CONSTON SYSTEM

FOR ROLLER SCREENS

Curve



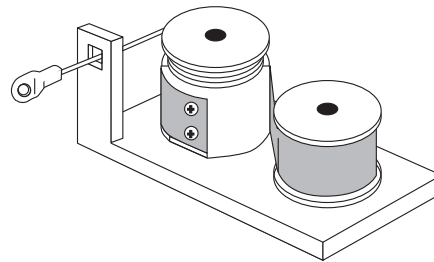
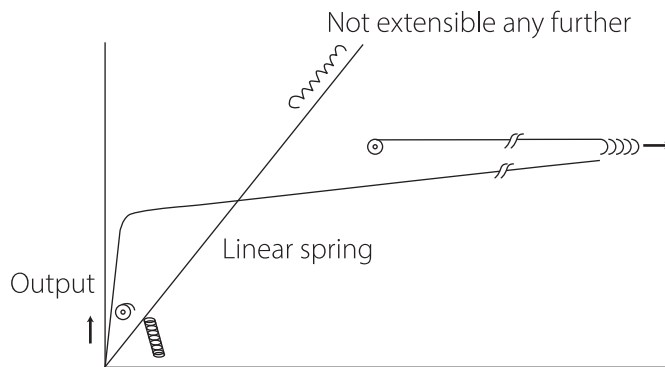
SHY CONSTON SYSTEM

Features

With "SHY CONSTON" applied, the constant torque revolving mechanism can be obtained.

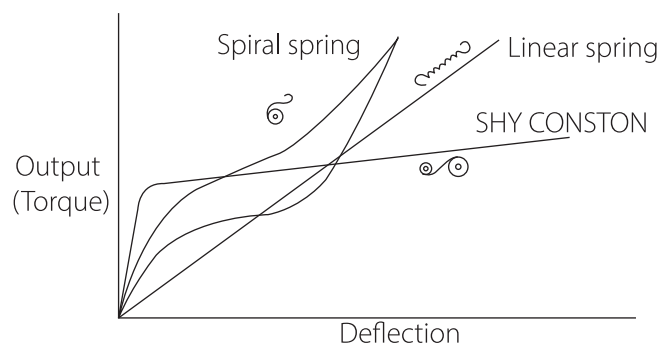


- ▲ Reaches maximum output in a half rotation of drum.
- ▲ Then its output can be nearly fixed.
- ▲ The Wire can be contained compactly in small drum, much longer than linear spring.



CONSTANT SPRING FORCE

The output hardly changes its value, regardless of the wire length.



Comparison with Spiral spring

- ▲ The output hardly changes its value regardless of the rotation number.
- ▲ Able to rotate almost its full length.
- ▲ Torque maintains constantly for a long time.
- ▲ High efficiency, no energy loss due to no friction between coils.
- ▲ Thus no need for lubricating oil.
- ▲ The output reaches high level immediately with slight rotation.
- ▲ With constant output, adjustment by the governor is unnecessary in many cases. Structure is simple, thus, troubles seldom occur.
- ▲ Torque is not elevated with higher coiling tightness. Thereby, coiling can be made easily, and parts with less strength can be used.



Torque

3.2kgf(about31.36N)

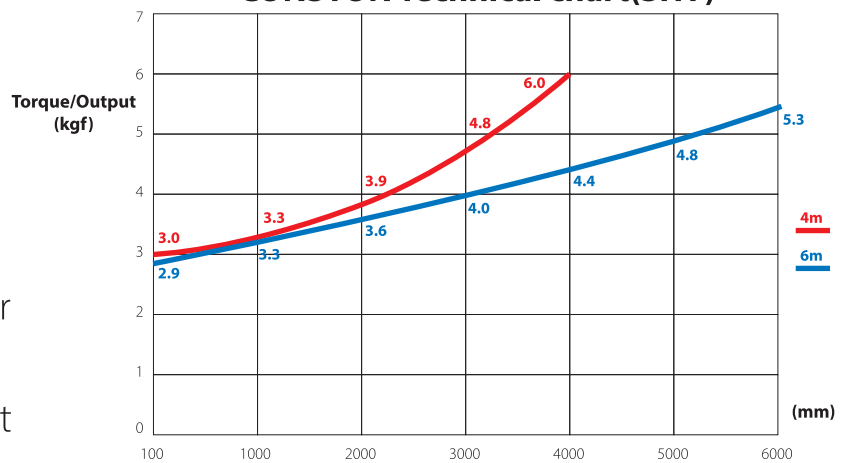
Wire

6000mm length, Made of Kevelar

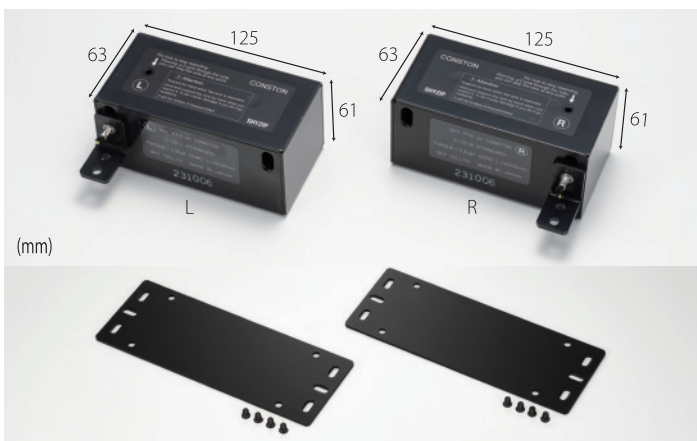
Box color

Black with Trivalent Chrome paint

CONSTON Technical chart(SHY)



SHY CONSTON75



SHY CONSTON75 (L/R Pairs)

ITEM	Torque	Wire length
CS7532N	3.2kgf	※6,000mm (Black)
CS7532M	3.2kgf	3,000mm
		4,000mm

MOQ:15pairs~

※in-stock

CONSTON Specifications

3.2kgf(31.36N)-6000mm

Dimension / 0.2 × 33 × 7,500

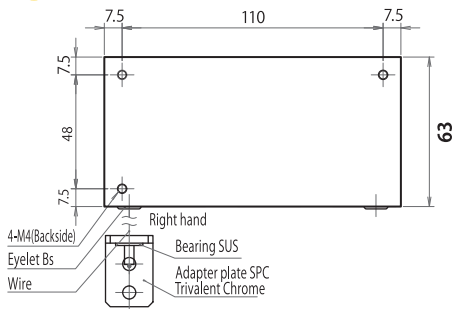
Output / 31.36N(3.2kgf)±15%

(at the point of 50mm of the wire length)

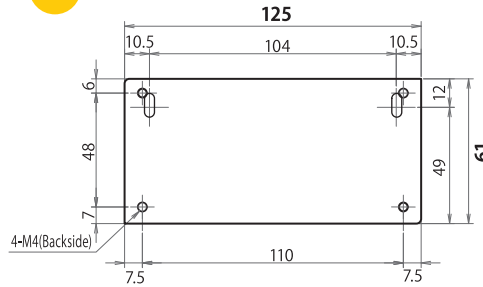
Wire length / 6000mm

D4 Drum Speed / 48rotations

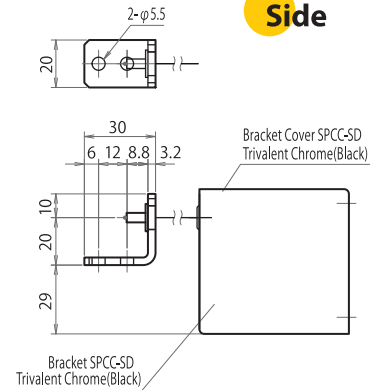
Surface



Front



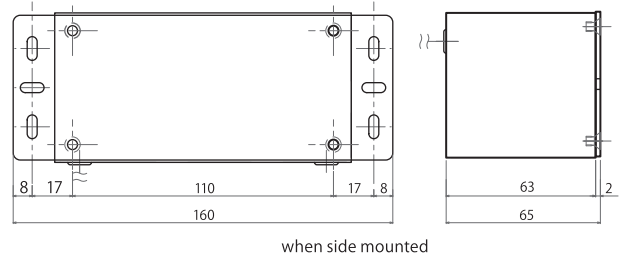
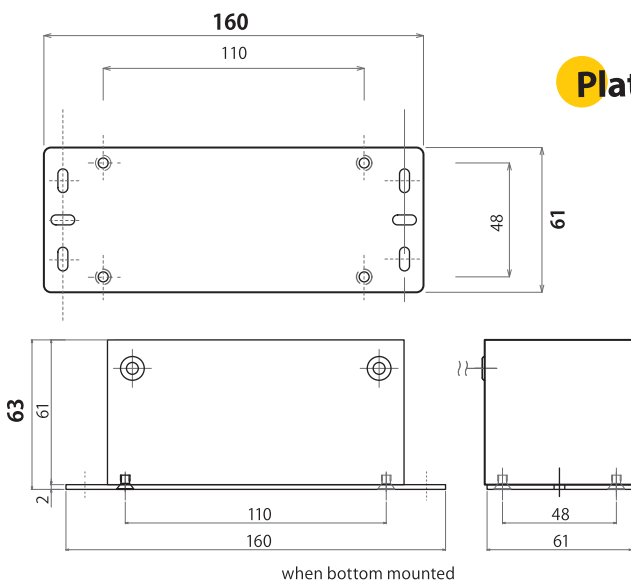
Side



Plate

Material / SPCC-SD

Treatment / Trivalent Chrome



* Output tolerance needs to be confirmed by experimental production.

* Operating noise is not covered by warranty.

Output

■ The wire output in the unit state will be the following reference value;

Wire stroke 50mm point (return): (reference value: 31.36N (3.2kgf))

■ Wire stroke: 6000mm

■ Maximum operating speed: 100mm/sec.

■ Recommended operating environment: 5°C to 35°C with no condensation and no direct exposure to wind and rain.

■ Storage environment: -10°C to 50°C with no condensation

SHY® SHY CO.,LTD.

Head Quarters
3455 Tsuoki,Sendo-machi,Tsu City,Mie PREF.,Japan 514-0801
TEL +81-59-226-3334 FAX +81-59-224-8841 E-mail overseas@shyzip.com
Tokyo Branch
7F,UF Building 5,46-3 Kandasakumagashi,Chiyoda-ku,Tokyo,101-0026,Japan
TEL +81-3-5822-2282 FAX +81-3-5822-2283



SHYZIP®

24.01.1000