



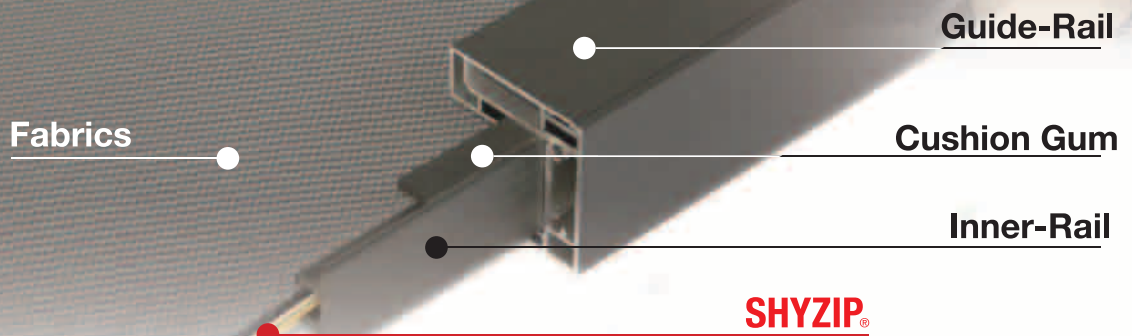
Original **SHYZIP**®

You Will Find SHY Products
on Windows Around the World.



SHYZIP®

Made in Japan



- Stable Straight SHYZIP®
- Usable for each strength, scenes, and situations.
- MADE IN JAPAN, Past sales more than 2,500,000m/year.



Tensile strength (Measured value)

SHYZIP-0216 (with yellow elements)

Element thickness : 1.7mm

Tensile strength : 25.2kg/ 30mm

SHYZIP-0451 (with green elements)

Element thickness : 1.9mm

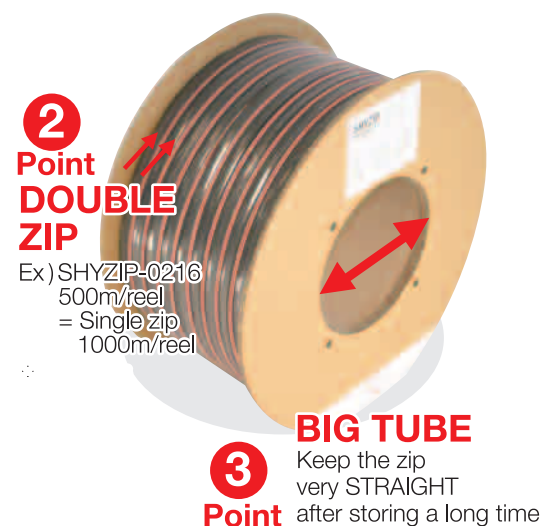
Tensile strength : 41.0kg/30mm

★Strength 163% UP!!

Highly recommendable for exterior shade.

- Easy Operation
- Light Cut-off
- Energy Saving · Noise Cut-off
- Sag Prevention
- Scattering Prevention
- Bug Cut-off
- Multi-purpose Design Possible
- Easy Maintenance
- Large Size Possible
- Dust etc Shutting Off

Safe and stable package



The easiest way to find a solution. SHY is here for you!

Eco

Actively promoting what's good for environment, such as thermal insulation fabric.

Environment-friendly

Inclination

Air traffic control tower sun shade film

1.8m width film screen that can see clearly with special joint technology.

Various angles

Unique Shape

Plaza west

We develop our system every time to meet the architect's special requests.

Various window shapes

The Largest

W4m x H8.2m

4m width fabric allow us to produce the system by a single sheet of fabric.

NO-joint

Black out

Tokyo Baycourt Club

SHYZIP system offers complete blackout.

Privacy and comfort

Simple

Panel Screen

GOOD DESIGN ZIPrail® Screen

Compact and easy-to-install

Big

@gasayama Sports Park ECOPA

Extensive practical experience with sport arena, dome with large windows.

Big and durable

Shut Out

screen of prevent scatter in the factory

Very suitable for clean room by blocking the air flow, bugs and dust.

Block the light, sounds, heat, dust...

Compact

Wedding hall

GOOD DESIGN Box Roll

Expand the possibility of design

IOT

SHY Tokyo Showroom

Control by channels such as smartphones and tablets.

Total lighting control using media channels

Linked

Smoke ventilation windows and roller shades opens when the sensor catches smoke.

Multiple Functions

Vehicles

Small but very functional manual roller shade for vehicles. Bullet train, Linear motor car and train "Rapi:t" in Osaka.

Train Windows

SHYZIP® is designing the Environment.

Stop insects

Heat insulation and control

Yield eco-friendly benefits

Zero Light for blackout solutions

Improved noise reduction

Protect from the wind



0000-GR
Grey

0000-BK
Black

0016-GR
Grey

0016-BK
Black

0203-GR
Grey

0203-BK
Black

0216-WH
White

0216-GR
Grey

0216-BK
Black

SHYZIP® Micro

Insect screen, Small Size, Interior

SHYZIP® Mini

Insect screen, Small Size, Interior

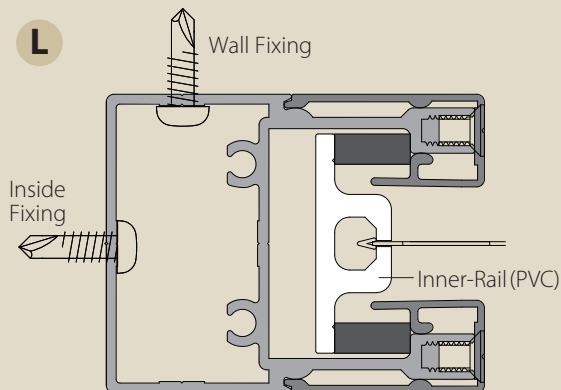
SHYZIP® Standard

Different Size, Interior, Exterior

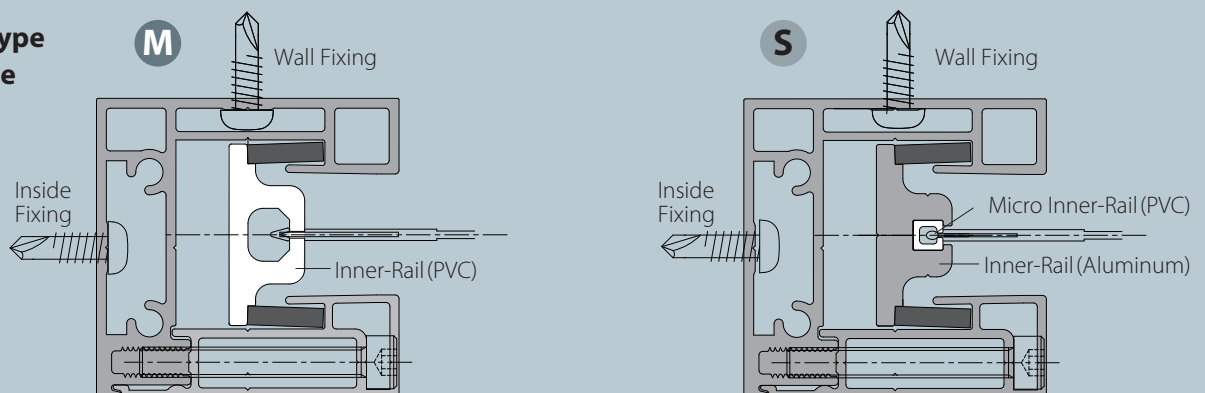
ZIP System

ZIP System is a screen system that can shut off openings perfectly with compact guide rail unit and SHYZIP®.

Large type

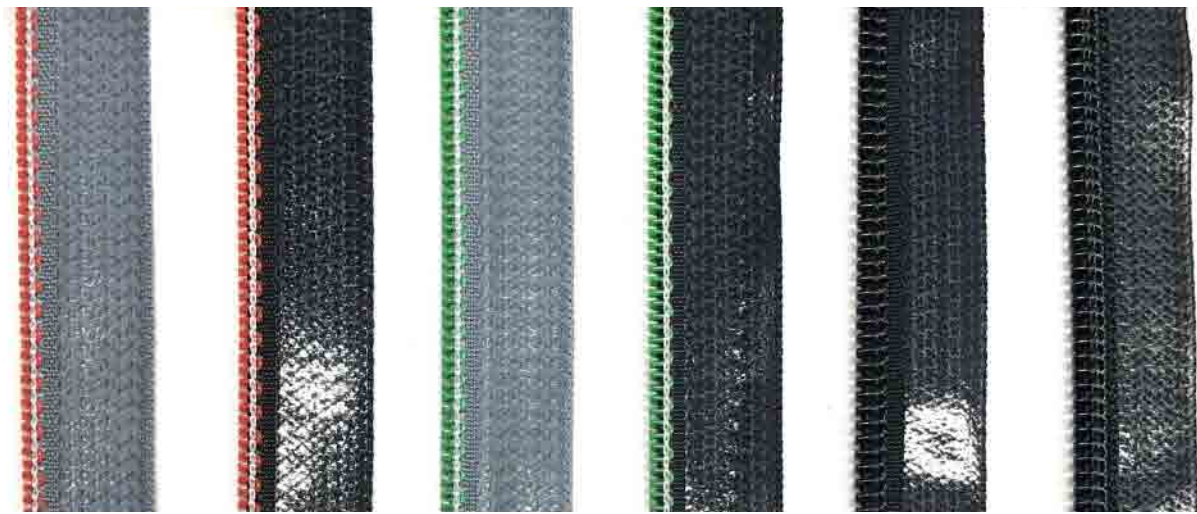


Medium type Small type



Please beware of low-quality copy goods. SHYZIP® is a trademark or registered trademark of SHY CO., LTD.

SHYZIP®



0450-GR
Grey

0450-BK
Black

0451-GR
Grey

0451-BK
Black

0560-BK
Black

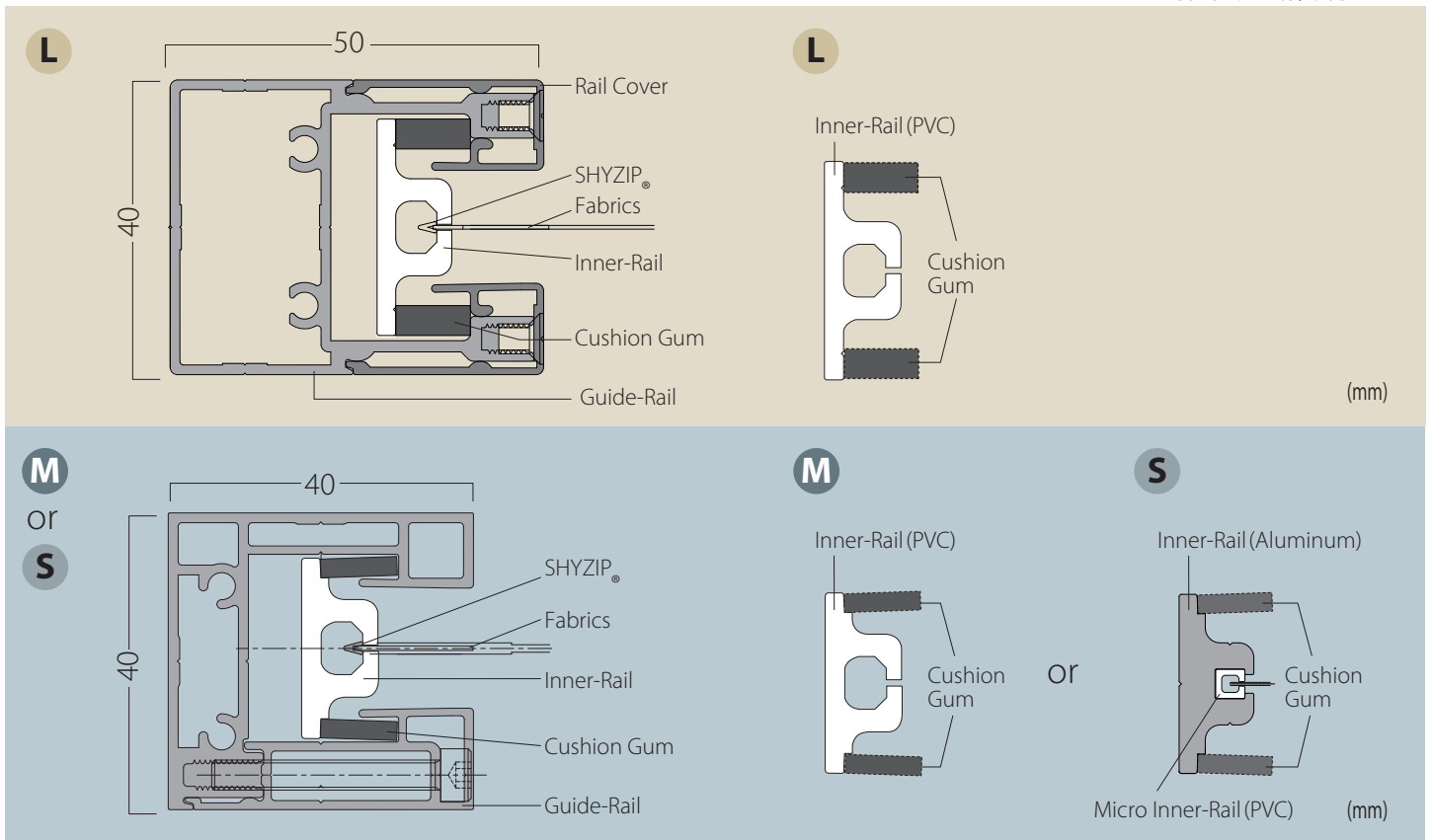
0860-BK
Black

SHYZIP® Strong
Exterior, Fixing fabric

Guide-Rail
SHYZIP-GR- L/M/S
COLOR : White / Black / Silver

Inner-Rail
SHYZIP-IR- L/M/S
COLOR : White / Black

Micro Inner-Rail
SHYZIP-MR- S
COLOR : White / Black





0870-BK
Black

1570-BK
Black

1575-BK
Black
without Film

3075-BK
Black
without Film

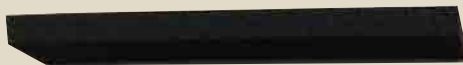
SHYZIP® Big
Exterior, Fixing fabric

Cushion Gum

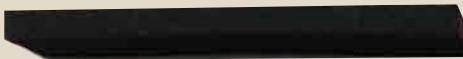
SHYZIP-CGM

COLOR : Black

L



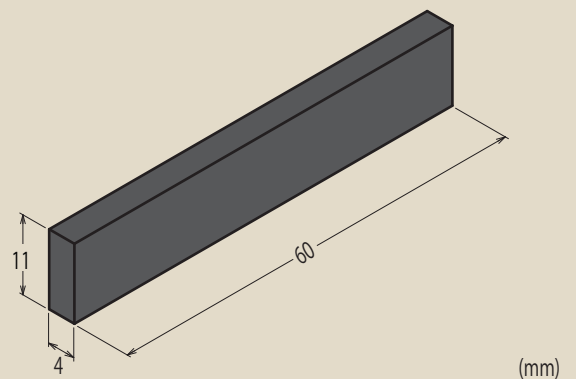
401160-10CR



401160-15CR
※standard



401160-20CR



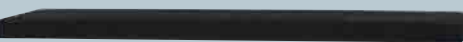
M

or

S



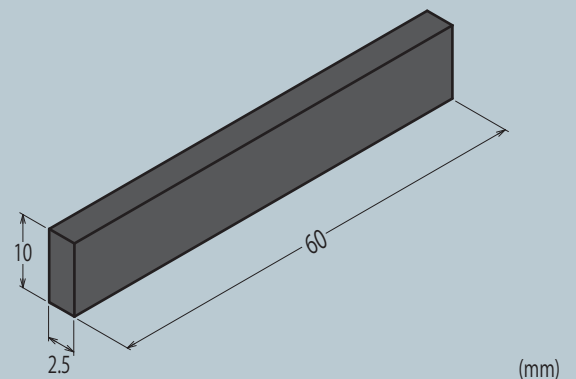
251060-10CR



251060-15CR



251060-20CR

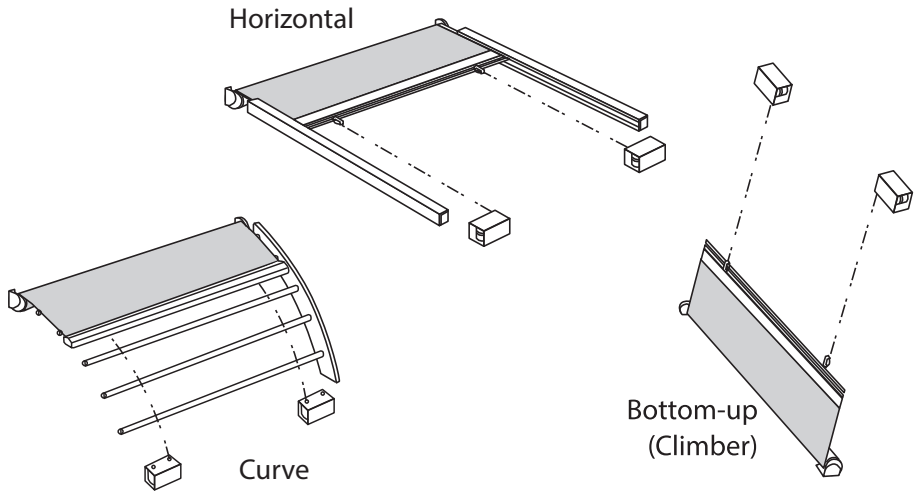




SHY CONSTON SYSTEM

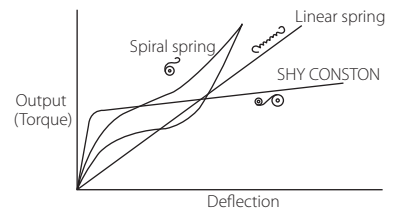
Features

With "SHY CONSTON" applied, the constant torque revolving mechanism can be obtained.



CONSTANT FORCE SPRING

The output hardly changes its value regardless of the wire length.



Comparison with Spiral spring

The output hardly changes its value regardless of the rotation number.

Able to rotate almost its full length.

Constant torque maintains over a long time.

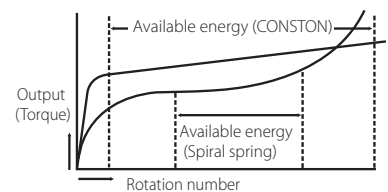
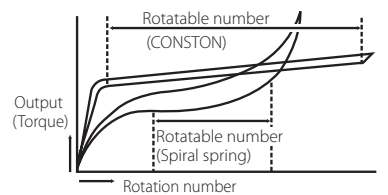
High efficiency, no energy loss due to without friction between coils.

Thus no need lubricating oil.

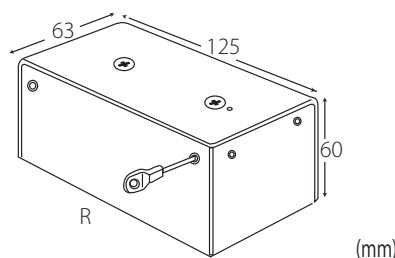
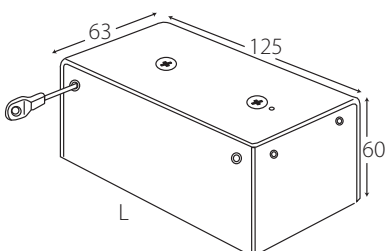
The output reaches high level immediately with slight rotation.

With constant output, adjustment by governor is unnecessary in many case. Structure is simple, thus, troubles seldom occur.

Torque is not elevated with higher coiling tightness. Thereby, coiling can be made easy, and parts with less strength can be used.



SHY CONSTON75



SHYZIP®

SHY CONSTON75 (L/R Pairs)

ITEM	Torque	Wire length
CS7512M	1.2kgf	3,000mm
		4,000mm
CS7528M	2.8kgf	3,000mm
		4,000mm
CS7532M	3.2kgf	3,000mm
		※ 4,000mm

MOQ : 15pairs~

※in-stock

since 1919



decorated woven wood blinds



R+T91



Sapporo Dome



Tokyo showroom



SAORINA

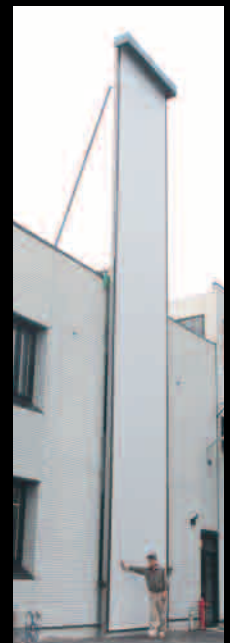
- 1919 Began manufacturing wooden blinds in Tsu, Mie.
- 1933 Changed company name to Hayashiguchi Wooden Chips Manufactory.
Manufactured food container related wooden products such as thin panels and lunch boxes.
- 1950 Incorporated as Hayashiguchi Wooden Chips MFG Co.,Ltd.
Expanded the market of decorated and plain woven wood blinds domestically and overseas.
- 1962 Obtained a patent of rotary machine and cutter for wooden chips and began manufacturing.
- 1970 Began exporting slats to USA for decorated woven wood blinds.
- 1985 Began manufacturing roll flyscreens.
- 1988 Began manufacturing ZIP roll screen units (patented system).
- 1989 Invested in P.T. BIDAI PANCA DAYA and provided technology.
- 1992 ZIP R-Type was selected for Super High Decker Cars of Toto sightseeing buses (for skylight screens).
- 1993 ZIP R-Type was selected for Nankai Railways 5000 "Rapi:t".
- 1994 Established SHY Co. Ltd. as an import, export and sales division.
- 1994 Exhibited in the **R+T94 Exhibition** in Stuttgart, Germany.
- 1994 ZIP R-Type was selected for the two-story passenger trains of JR 217.
- 1997 Woven wood panel picture was selected as a souvenir for the 9th National Cultural Festival / Mie '94.
- 1997 Exhibited in the **R+T97 Exhibition** in Stuttgart, Germany.
- 1997 ZIP was selected for JR West 500 Bullet Trains.
- 1998 New factory site constructed.
- 1999 New screen system was selected by JR 700 Bullet Trains.
- 2000 Exhibited in the **R+T2000 Exhibition** in Stuttgart, Germany.
- 2000 Started the development of air controlling system between glass and screen with our zip system. (air flow system)
- 2001 The ZIP system with Foamed Blackout screen was adopted by the Sapporo Dome, official stadium for Soccer World Cup.
- 2001 ER-200 system was adopted by the National Museum of Emerging Science and Innovation. The 3.6m width fabrics was introduced initially in the trade. (W3.6m × H22m fabrics in one piece without joint)
- 2002 ZIP system was adopted by speediest experimental linear motor train.
- 2003 Exhibited in the **R+T2003 Exhibition** in Stuttgart, Germany.
- 2004 Began manufacturing Sheet Shutter for clean room.
- 2005 ZIP was selected for Taiheiy Ferry (cabin).
- 2006 Exhibited in the **R+T2006 Exhibition** in Stuttgart, Germany.
- 2007 Opened SHY Tokyo Office.
- 2008 Our Wooden Blind got the first FR certification in Japan.
- 2009 Exhibited in the **R+T2009 Exhibition** in Stuttgart, Germany.
- 2010 Acquired Construction Industry Permission.
- 2012 Exhibited in the **R+T2012 Exhibition** in Stuttgart, Germany.
- 2013 The Tokyo showroom opening.
- 2014 Our "ZIP Rail® Screen" won the Good Design Award.
- 2015 Exhibited in the **R+T2015 Exhibition** in Stuttgart, Germany.
- 2015 Oita Prefectural Art Museum. (W5m×H10m)
- 2016 THE HYAKUGO BANK head office building.
- 2017 Sport arena "SAORINA" in Mie, Japan fusion with optical duct system.
- 2018 Exhibited in the **R+T2018 Exhibition** in Stuttgart, Germany.



R+T97



N500



SHY CO.,LTD.
shyzip.com

TEL +81-59-226-3334 FAX +81-59-224-8841
E-mail overseas@shyzip.com

Please beware of low-quality copy goods.



SHYZIP®